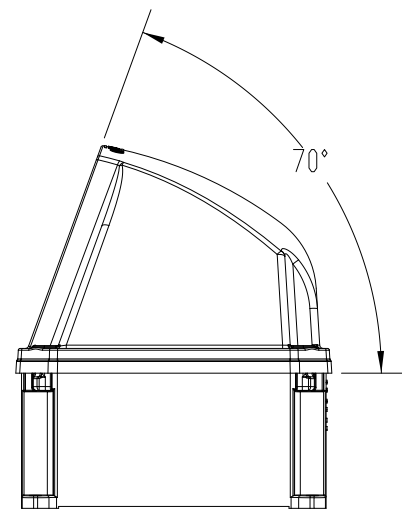
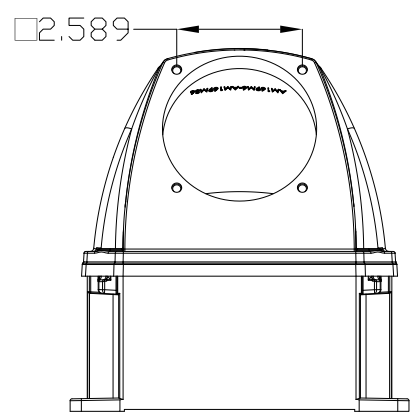
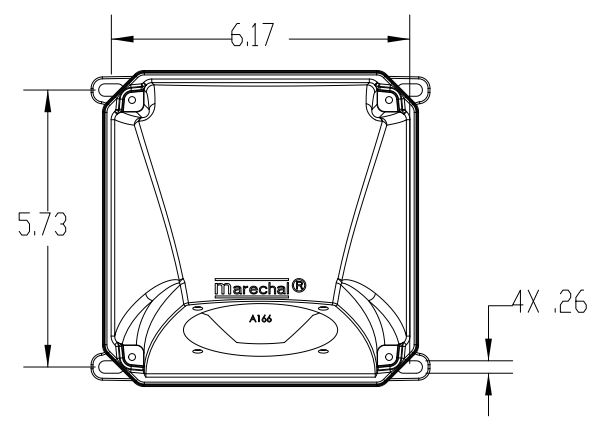
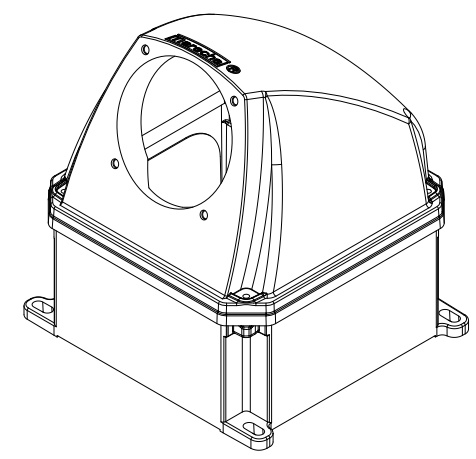
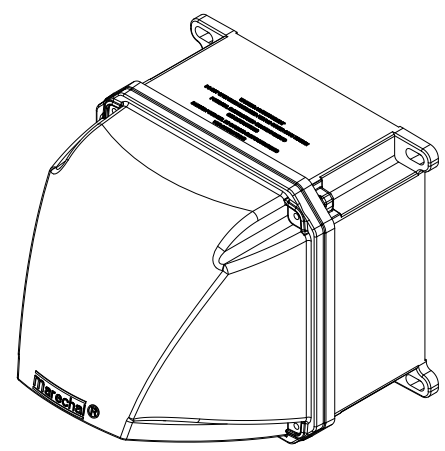
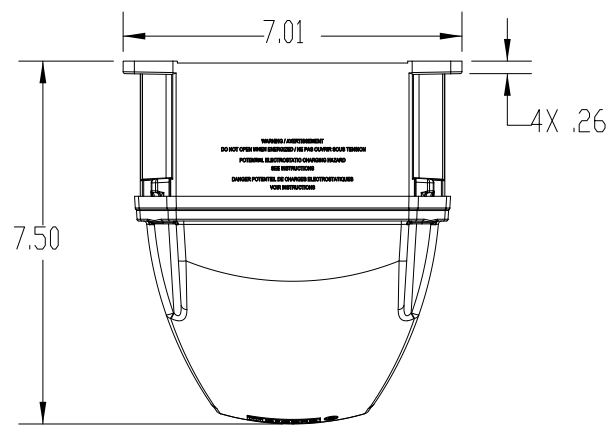


This drawing is the property of MELTRIC Corporation, Franklin (Milwaukee), Wisconsin, USA. Any unauthorized copying of this drawing by any means, or disclosure of its contents to any person not authorized by MELTRIC Corporation or its agents to receive it, is strictly prohibited.



TOLERANCES UNLESS OTHERWISE SPECIFIED		 A COMPANY OF MARECHAL ELECTRIC		DRAWING TITLE:	
MACHINED SURFACES	125 MAX			ENGLISH	DATE:
GROUND SURFACES	32 MAX	0.X ±0.05	SCALE		MATERIAL:
ANGLE TOLERANCE	±1°	0.XX ±0.01	NTS		BLUE POLY
REMOVE BURRS & SHARP EDGES TO .015 MAX.		0.XXX ±0.005			
DIMENSIONS SHOWN IN OVALS ARE INSPECTION DIMENSIONS.		SHEET:	PART NUMBER		REVISION
		1 OF 1	514C7000		